



Link Controls Ltd.

Stuart Road, Manor Park, Runcorn, WA7 1TS
Tel: +44(0)1928 579050 Fax: +44(0)1928 579259
www.link-controls.co.uk sales@link-controls.co.uk

ACCESSORIES

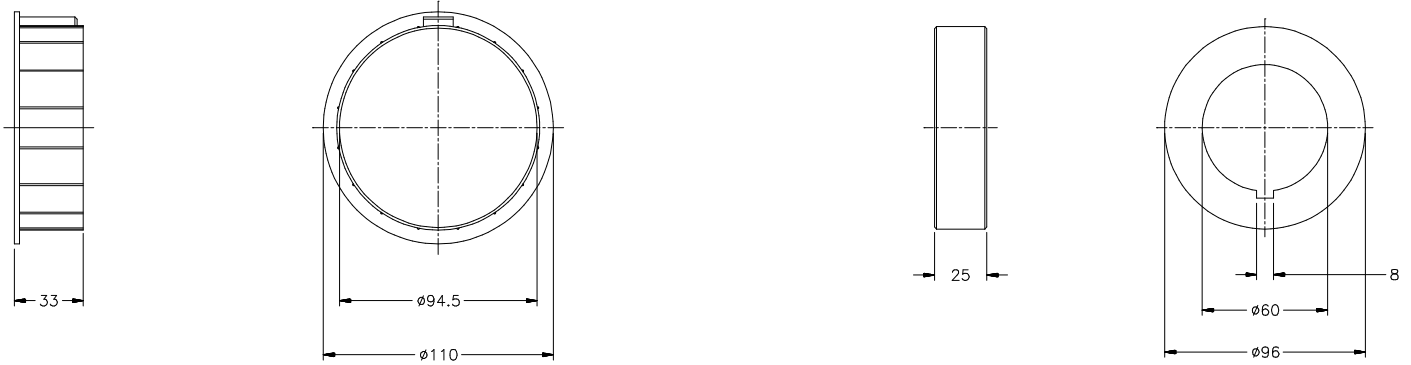
Tubular Motor - Adaptor Sets



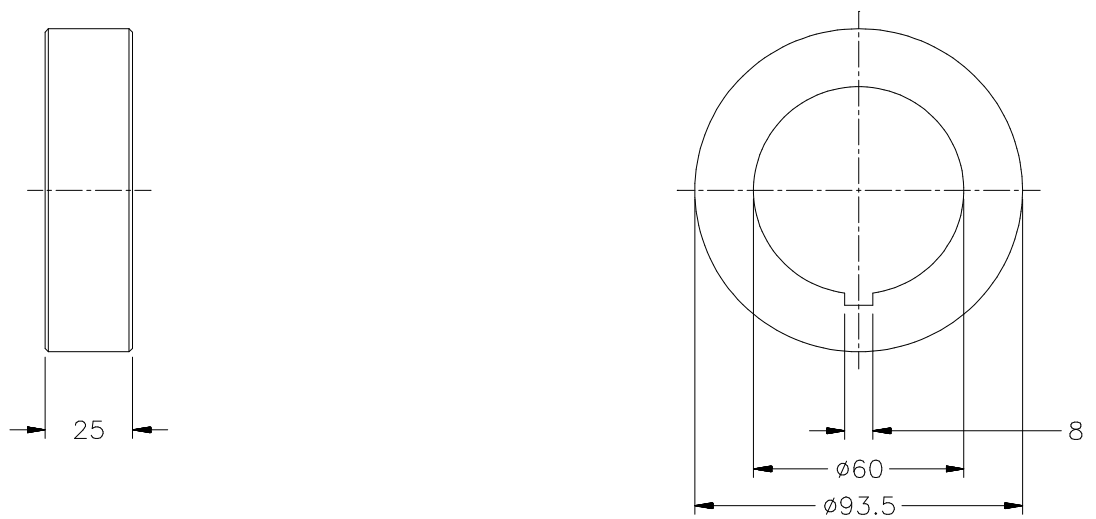
ORDER CODES

Item	Order Code	Description
1	30-2013	Series 50: Adaptor set for 90 mm tube
2	30-2014	Series 50: Adaptor set for 4" tube
3	30-2004	Series 60: Adaptor set for 90 mm tube
4	30-2003	Series 60: Adaptor set for 4" tube
5	30-2010	Series 100: Adaptor set for 4" 16 SWG tube
6	30-2003	Series 100: Adaptor set for 4" 9 SWG tube
7	30-2003	Series 100: Adaptor set for 5" 10 SWG tube

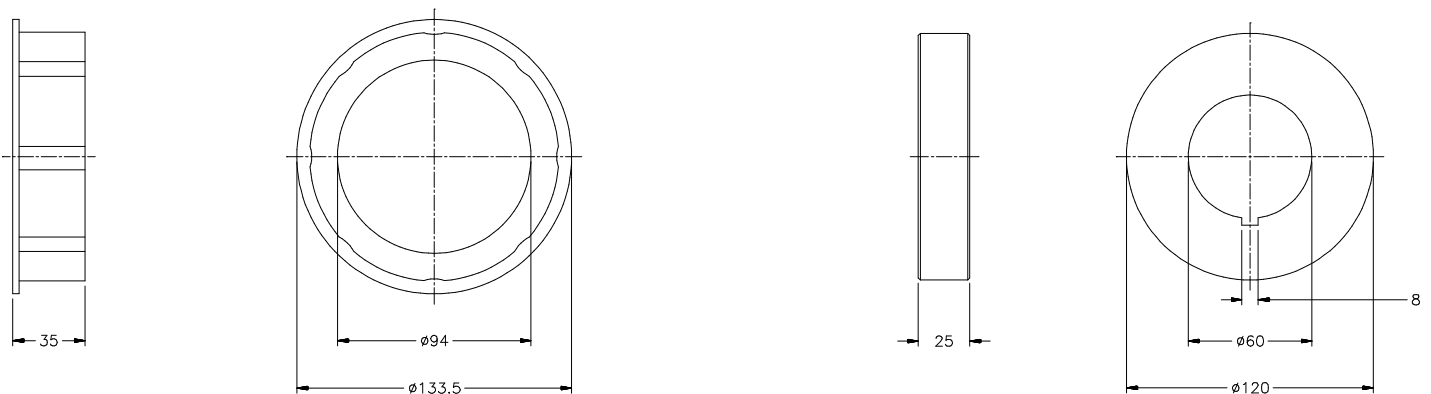
SERIES: 100 ADAPTOR SET FOR 4" 16swg TUBE



SERIES: 100 ADAPTOR SET FOR 4" 9swg TUBE



SERIES: 100 ADAPTOR SET FOR 5" 10swg



Link Controls Limited
 INDUSTRIAL DOOR AND GATE OPERATORS
 ACCESS CONTROL & SECURITY EQUIPMENT

Stuart Road, Manor Park, Runcorn WA7 1TS
 Tel: 01928 579050 Fax: 01928 579259
 Email: sales@link-controls.co.uk
 Web: www.link-controls.co.uk