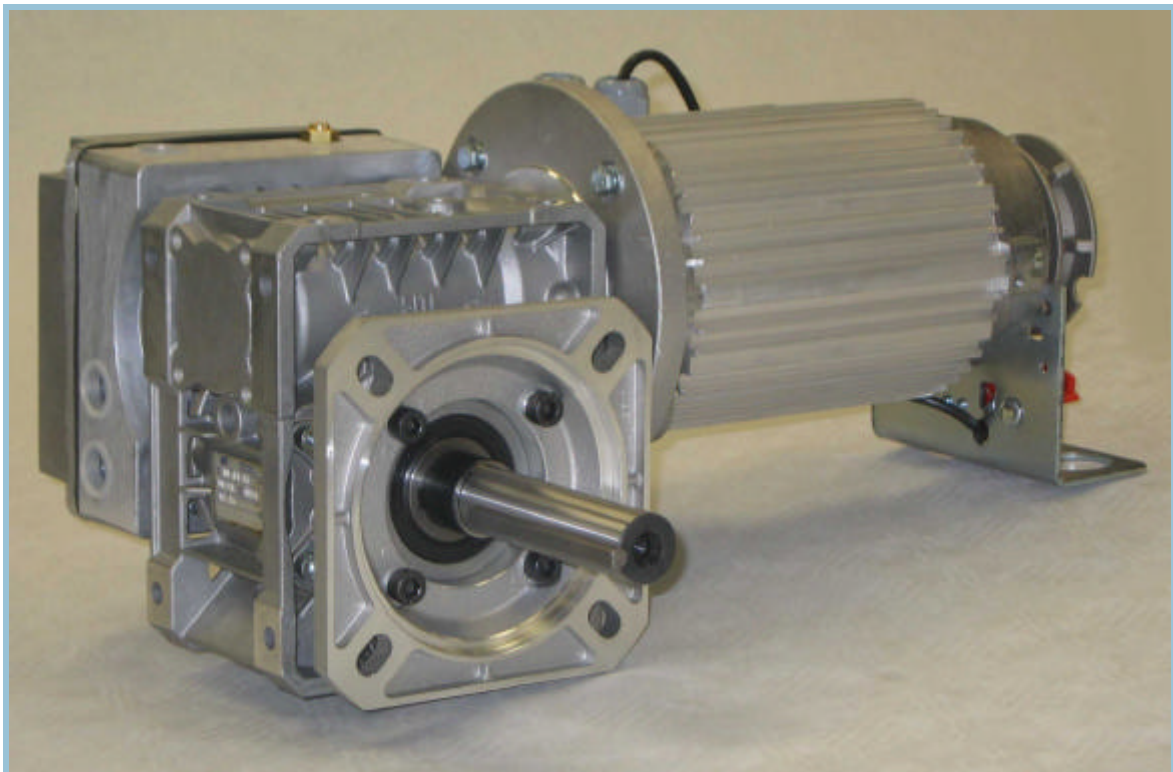


Link Controls Ltd.

Stuart Road, Manor Park, Runcorn, WA7 1TS
Tel: +44(0)1928 579050 Fax: +44(0)1928 579259
www.link-controls.co.uk sales@link-controls.co.uk

CDO-150

Flangemount Operator



Special Features

- * Safety Interlock Switch for Manual Operation
- * Integral Thermal Protection
- * IP 54 Environment Protection
- * Gear Driven Limit Switches
- * Phosphor Bronze Worm Wheel
- * High Starting Torque—Industrial Duty Motor

PRODUCT DESCRIPTION

The CDO-150 Rolling Door Operator is available with a 1.1kw, 400v Three Phase Brake Motor. These models are fitted with either a Hand Crank, Floor Level Hand Chain System or High Level Hand Chain System which enables the roller shutter door to be manually opened & closed when required.

TECHNICAL INFORMATION & ORDER CODES

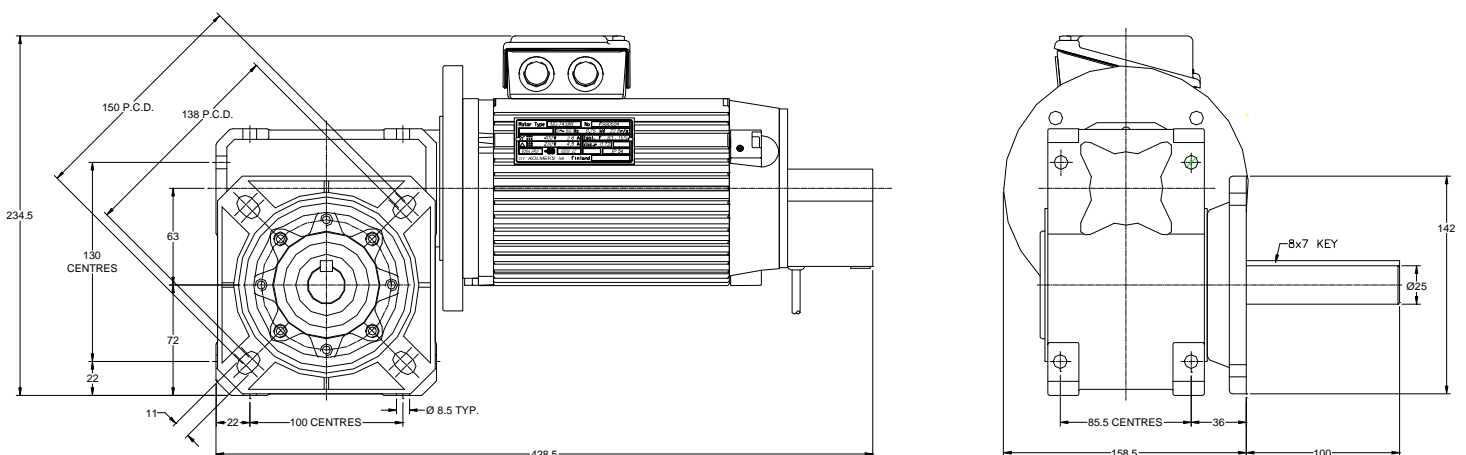
Data \ Type	CDO-150 3ph c/w Hand Crank		CDO-150 3ph c/w Floor Level Hand Chain		CDO-150 3ph c/w High Level Hand Chain	
Power (kW)	1.1					
Torque (Nm)	197	110	197	110	197	110
Output Speed (R.P.M.)	24	45	24	45	24	45
Environmental Protection	I.P.54					
Current (Amps)	2.6					
Power Supply	400v/3ph/50Hz					
Order Code	21-0912	21-0913	21-0914	21-0917	21-0910	21-0911

OPERATOR DIMENSIONS

TYPE:- CDO-150 c/w Hand Crank

ORDER CODE 21-0912 24 rpm

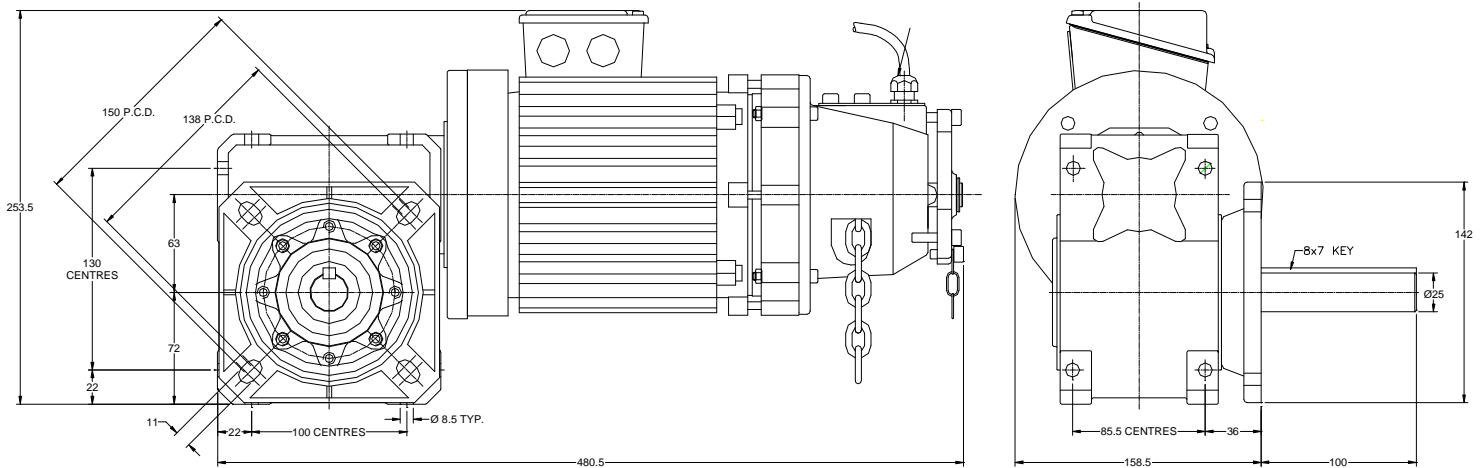
ORDER CODE 21-0913 45 rpm



OPERATOR DIMENSIONS

TYPE:- CDO-150 c/w Floor Level Hand Chain

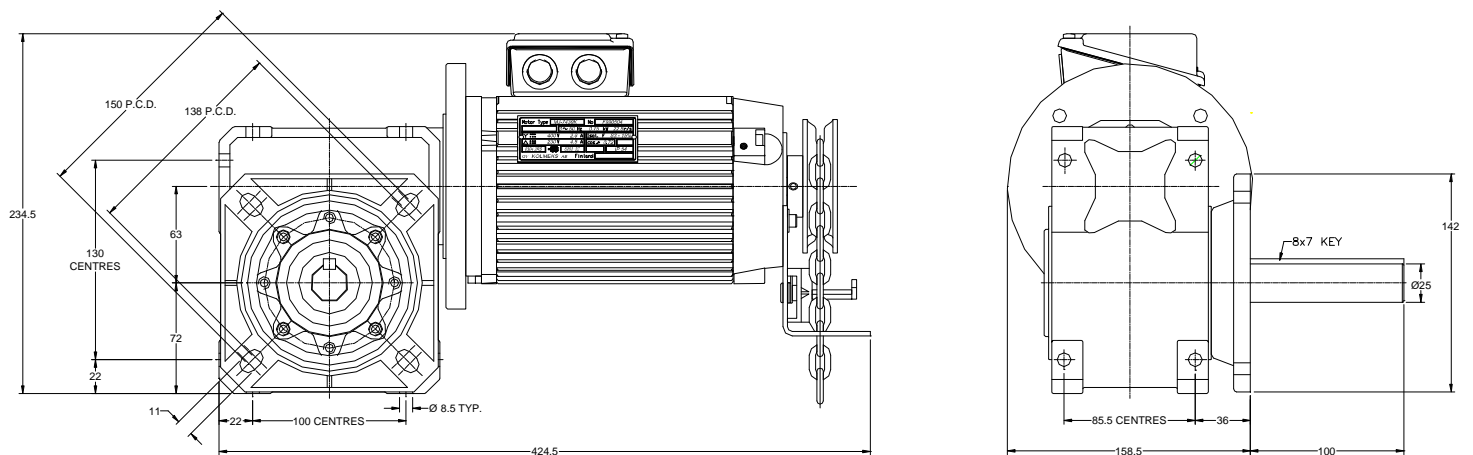
ORDER CODE	21-0914 24 rpm
ORDER CODE	21-0917 45 rpm



OPERATOR DIMENSIONS

TYPE:- CDO-150 c/w High Level Hand Chain

ORDER CODE	21-0910 24 rpm
ORDER CODE	21-0911 45 rpm



Link Controls Limited
 INDUSTRIAL DOOR AND GATE OPERATORS
 ACCESS CONTROL & SECURITY EQUIPMENT

Stuart Road, Manor Park, Runcorn WA7 1TS
 Tel: 01928 579050 Fax: 01928 79259
 Email: sales@link-controls.co.uk
 Web: www.link-controls.co.uk