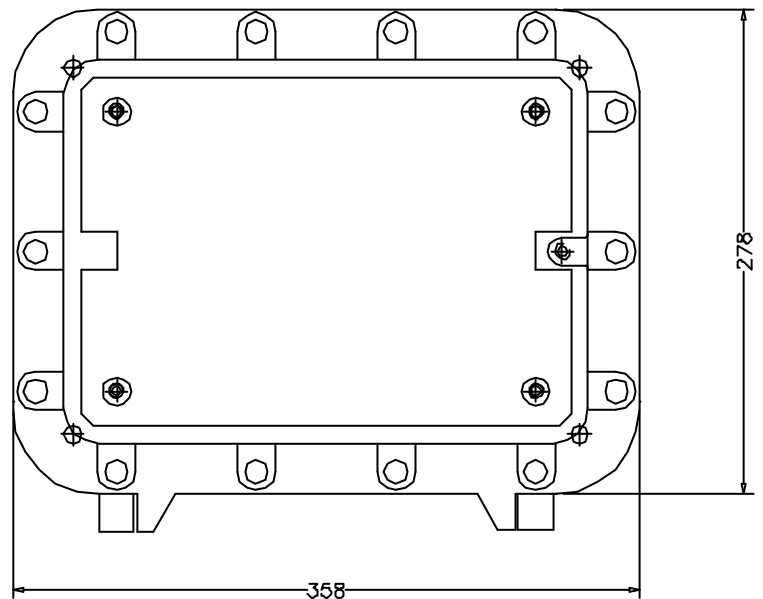
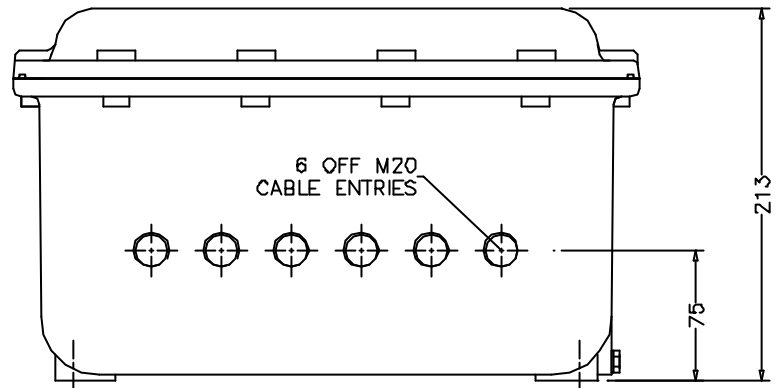


# Link Controls Ltd.

Stuart Road, Manor Park, Runcorn, WA7 1TS  
Tel: +44(0)1928 579050 Fax: +44(0)1928 579259  
www.link-controls.co.uk sales@link-controls.co.uk

## Exd Starter Control Panel Hazardous Area Equipment

### DIMENSIONS



### Special Features

- \* EExd, IIB, T6 Rated
- \* Suitable For Zone 1 and 2
- \* Also IIC, T4 Available on Request
- \* Intrinsically Safe Control Circuit
- \* Impulse Open, Deadman Close